

Pressure Transmitters



ATEX

FEATURES

- Ranges to 15,000 psi (0-1,000 bar)
- <0.15% accuracy class
- 4-20mA 2-wire output
- ATEX I.S. certification
- Duplex stainless steel construction
- Sour Service standard

DESCRIPTION

General purpose 9420 Series pressure transmitters share fused-ceramic diaphragm and fixed-range 4 - 20mA 2-wire output amplifier technology with the rugged P9420-800 Series Hammer-Lug Union transmitters. Housed in a thick walled casing of the highest specification material, the 9420 Series is ideally suited to rugged and corrosive service in an oil field environment; Sour Service is standard.

9420 transmitters are available with a wide variety of connector options to suit your system requirements. Each unit carries a 2-year warranty.

APPLICATIONS

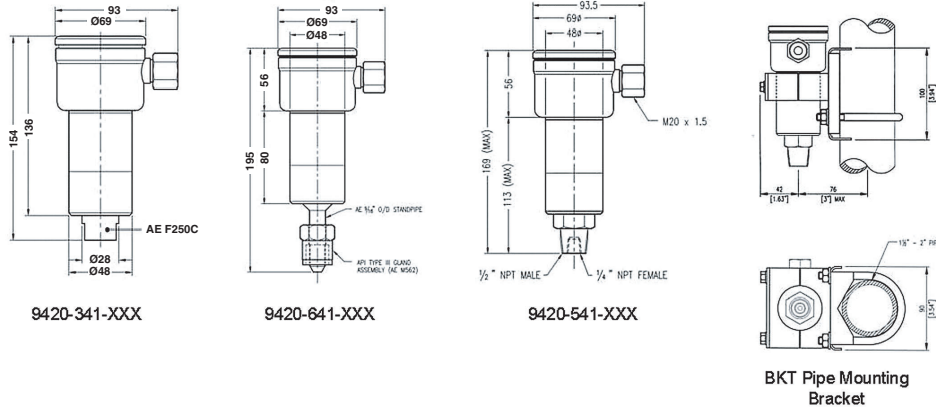
- Surface datalogging
- B.O.P. control systems
- Wellhead monitoring
- Mud logging

ORDERING INFORMATION

X 9 4 2 0 - X X X - X X X X P - X X X

<p>Pressure Ref. P = Sealed Gage PSIS V = Vented Gage PSIG</p> <p>Series 9000</p> <p>Output (4 - 20mA)</p> <p>Pressure Port 1 = API - BX Flanged 2 = Subsea Wet Configuration 3 = AE F250C (1/4" High Pressure) 4 = Grayloc 1 GR4 Clamp Hub 5 = 1/4" NPT fem & 1/2" NPT male (stock type) 6 = AE 562, 9/16" High Pressure API type III 7 = G1/4 ISO228/1 (1/4" BSPP port) 8 = Custom Port 9 = Custom Port</p> <p>Electrical Termination 1 = Jupiter TP Series Plug / Socket 2 = Fischer DBEE 105 Plug / Socket 3 = Glenair GC379 Series Plug / Socket 4 = 2 pin Header thru M20 Male 5 = High Pressure Feed Through 6 = Custom e.g. ROTA Plug / Socket 7 = Custom Connection IP66 Minimum</p> <p>Cable / Accessories 0 = None 1 = Terminal Head, K8000 Type, M20 Entry 2 = Terminal Box / Mounting, H20TS Type 3 = Custom, IP66 Minimum 4 = Custom, IP66 Minimum</p>	<p>Special Option Code e.g. Materials etc.</p> <p>Pressure Range (Fixed - non adjustable) 0035 = 0 - 35 bar or, with "P" suffix, = 0 - 500 psi 0070 = 0 - 70 bar or, with "P" suffix, = 0 - 1,000 psi 0100 = 0 - 100 bar or, with "P" suffix, = 0 - 1,500 psi 0200 = 0 - 200 bar or, with "P" suffix, = 0 - 3,000 psi 0350 = 0 - 350 bar or, with "P" suffix, = 0 - 5,000 psi 0700 = 0 - 700 bar or, with "P" suffix, = 0 - 10,000 psi 1000 = 0 - 1,000 bar or, with "P" suffix, = 0 - 15,000 psi</p> <p>Special Ranges - Please Enquire.</p>
--	---

OUTLINE DIMENSIONS



SPECIFICATIONS

Ranges		0 - 500 psi thru 0 - 15,000 psi (0 - 35 bar thru 0 - 1000 bar)
Performance	Accuracy	<0.15% FSO combined error, non-linearity, hysteresis & repeatability
	Stability	<0.1% FSO per year
	Rise time to full scale	<2ms
	Thermal effects on zero output	±0.008% FSO/°C
	Thermal effects on FSO (span)	±0.008% FSO/°C
	Temperature range	Operational -30°C to +90°C, Storage -40°C to +120°C
Electrical	Output	4 - 20mA, 2 wire
	Full scale output (FSO)	20mA±0.08mA
	Zero pressure output	4mA±0.08mA
	Supply voltage	12 - 28Vdc
	Loop resistance	100Ω - 900Ω
	Insulation resistance	>500MΩ @ 500Vrms
Mechanical	Safe overpressure	150% range
	Min burst pressure	300% range (<10,000 psi), 250% range (15,000 psi)
	Wetted parts material	Al ₂ O ₃ UNS S31803 Duplex St Steel
Mounting	Not attitude conscious	Via pressure port on 5XX, 6XX process connections, or flanges and hubs. Mounting bracket / pipe clamp for tubing or flexible hose connected parts
Environmental	Protection	IP68 BS5490: 1977, IEC 529: 1976
	RFI / EMC immunity	Tested to IEC 801-3 Parts 2, 3, 4 & 6 EN 50082-2
	Intrinsic safety certification	EXia IIc T4 Sira 02ATEX2388X
Media Compliance		NACE MR-01-75 Rev03 Sour Gas rated
Shock / Vibration		IEC 68 Test Ea 100g / 6ms, 3 axes Test Fc 10 - 800Hz, 5g, 3 axes

Disclaimer

All product specifications and data are subject to change without notice.

Vishay Precision Group, Inc., its affiliates, agents, and employees, and all persons acting on its or their behalf (collectively, "Vishay Precision Group"), disclaim any and all liability for any errors, inaccuracies or incompleteness contained herein or in any other disclosure relating to any product.

Vishay Precision Group disclaims any and all liability arising out of the use or application of any product described herein or of any information provided herein to the maximum extent permitted by law. The product specifications do not expand or otherwise modify Vishay Precision Group's terms and conditions of purchase, including but not limited to the warranty expressed therein, which apply to these products.

No license, express or implied, by estoppel or otherwise, to any intellectual property rights is granted by this document or by any conduct of Vishay Precision Group.

The products shown herein are not designed for use in medical, life-saving, or life-sustaining applications unless otherwise expressly indicated. Customers using or selling Vishay Precision Group products not expressly indicated for use in such applications do so entirely at their own risk and agree to fully indemnify Vishay Precision Group for any damages arising or resulting from such use or sale. Please contact authorized Vishay Precision Group personnel to obtain written terms and conditions regarding products designed for such applications.

Product names and markings noted herein may be trademarks of their respective owners.